



# eONE-FORTY 575

ART.NR.: 8396347

FARBE: ANTHRACITE (BLACK)

RAHMENGRÖSSEN: M-L-XL-XXL



**750Wh  
AKKU**

**SHIMANO  
EP8  
MOTOR**

VORNE  
**29"**

HINTEN  
**27.5"**

**ALU**

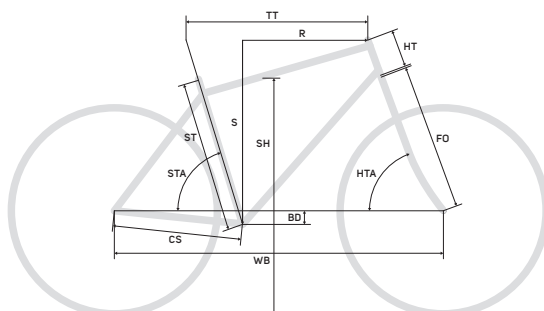
INKL. LEZYNE FRONTLICHT



## Spezifikationen

<b>MOTOR</b>	<b>Shimano EP8; 85Nm</b>	<b>KASSETTE</b>	Shimano M5100; 11-51 ATC; 11 Gang
<b>AKKU</b>	<b>Simplo Internal Battery; 750Wh</b>	<b>KETTE</b>	HG601-11
<b>DISPLAY</b>	Shimano SC-E5003A	<b>FELGE</b>	ALUMINIUM; MERIDA COMP TR; 29 IWR
<b>GÄNGE</b>	11 Gänge	<b>REIFEN</b>	V: MAXXIS REKON; 29x2.4"; wire H: MAXXIS REKON; 27.5x2.6"; EXO wire
<b>DÄMPFER</b>	SUNTOUR RS-EDGE-TR-LO-R8-M6; lockout	<b>NABE V</b>	Shimano MT400-B; 110x15 WHF; 32 SPH; Centerlock
<b>RAHMEN</b>	eONE-FS LITE III; MAT aluminium; 133 STR; 29/27.5" WHS; 148x12 AST; intube; max. 630 Wh	<b>NABE H</b>	Shimano MT400-B; 148x12 WHR; 36 SPH; Centerlock
<b>GABEL</b>	Marzocchi Z2 eMTB+; Air; 140 STR; Tapered; 51mm fork offset	<b>SATTELSTÜTZE</b>	MERIDA COMP TR; 30.9 DSP; 0 SSB;
<b>SCHALTWERK</b>	Shimano Deore RDM5100 11	<b>SATTEL</b>	S 100 SPT - M/L 125 SPT - XL/XXL 150 SPT MERIDA Comp CC; V-mount
<b>SCHALTHEBEL</b>	Shimano Deore M5100 11		
<b>BREMSEN</b>	V/H: Shimano M4100; 4 piston		
<b>KURBELSATZ</b>	Shimano CRE70-B; 34 ATC		

## Geometrie



eONE-FORTY LITE III						
FS	S	M	L	XL	XXL	
TS	29/27.5"	29/27.5"	29/27.5"	29/27.5"	29/27.5"	29/27.5"
ST	405	415	430	450	470	
TT	561	581	603	624	645	
CS	439.5	439.5	439.5	439.5	439.5	
HTA	66.5	66.5	66.5	66.5	66.5	
STA	76.5	76.5	76.5	76.5	76.5	
BD	25	25	25	25	25	
HT	110	115	120	125	130	
FL	551	551	551	551	551	
R	410	430	450	469	489	
S	622	627	631	635	640	
WB	1160	1182	1204	1226	1248	
SH	729	730	727	733	747	